



USER GUIDE

WINE SPI00



DEFYING
CONVENTION

CONTENTS

1	CHARACTERISTICS	4
1.1	DIMENSIONS :	4
2	LAYOUT OF PREMISES	5
2.1	INDOOR UNIT	5
2.2	OUTSIDE UNIT	5
2.3	THE CELLAR	5
2.3.1	<i>INSULATION</i>	5
2.3.2	<i>CHOICE OF INSULATION</i>	6
2.3.3	<i>WALL AND CEILING INSULATION</i>	6
2.3.4	<i>FLOOR INSULATION</i>	6
2.3.5	<i>THE DOOR</i>	7
2.3.6	<i>INSULATION OF OTHER ITEMS</i>	7
3	INSTALLING THE OUTSIDE UNIT	7
	Make sure you have chosen the best place for fitting the outside unit :	7
3.1	DRILLING THE WALL	7
3.2	FLEXIBLE DISMOUNTING	7
3.2.1	<i>THE COVER</i>	7
3.2.2	<i>THE FIXING BRACKETS</i>	8
3.2.3	<i>THE REFRIGERANT CONNECTIONS</i>	8
3.2.4	<i>ELECTRICAL CONNECTOR</i>	9
3.3	INSTALLATION OF THE OUTSIDE UNIT	9
3.3.1	<i>INSTALLATION OF THE WALL MOUNTING BRACKETS</i>	9
3.3.2	<i>ATTACHING THE OUTSIDE UNIT</i>	9
4	INSTALLATION OF THE INSIDE UNIT	11
4.1	RE-CONNECTION OF THE FLEXIBLE	11
4.2	INSTALLING THE CONDENSING WATER FLUE	11
5	USING THE WINEMASTER SP100	12
5.1	CONNECTING THE AIR-CONDITIONER	12
5.2	CONTROL PANEL	12
	AUTOMATIC DEFROST	12
6	SERVICING THE WINEMASTER AIR-CONDITIONER	12
6.1	CHANGING THE FILTER	13
7	WARRANTY	14
7.1	YEARS CONTRACTUAL WARRANTY	14
7.2	TERMS OF APPLICATION OF THE GUARANTEE	14
7.3	EXCLUSIONS AND LIMITS OF GUARANTEE	14

FROM VINEYARD TO WINE

In former times, good french cellars were built to maintain a temperature not exceeding 14 to 16°C in all seasons.

Today, this is rarely the case.

Nevertheless, a cellar worthy of the name must be protected against wide variations in temperature, be as damp as necessary and ventilated, dark and free of vibration.

This is why, for more than fifteen years, we have used the expertise of specialists and enthusiastic amateurs to design, develop, test and produce thousands of air-conditioners destined to help in the storage and ageing of wine.

If you follow our advice and respect our recommendations Winemaster will provide the optimal ageing conditions for your treasured wine collection.

You have to read the installation and operating guide for your FONDIS WINEMASTER cellar air-conditioner.

Contact us if you have any questions :

So....even if there ay be long years to wait before the wine reaches perfection, the great day will come when you face the delicate job of uncorking.

Hold the bottle carefully – do not remove the capsule on a level with the mouth – use a good quality tool or lever – remove the cork without shaking the bottle and examine the “ mirror “..

But that's another story.....

ATTENTION : Wait for 24 hours before switching on the air-conditioner.

1 CHARACTERISTICS

Setting the temperature	Preset to 12°C, adjustable between 12 and 25°C*
Maximum outdoor temperature	35°C**
Cooling power	2500W at 12°C**
Heating power	1000W
Electricity supply	230-240V 50Hz with earth connection (supplied with 3m cable)
Electrical power	1250W
Gas	R407C without CFC
Refrigerant gas	1000g
Length of refrigerant flexible connection	5m

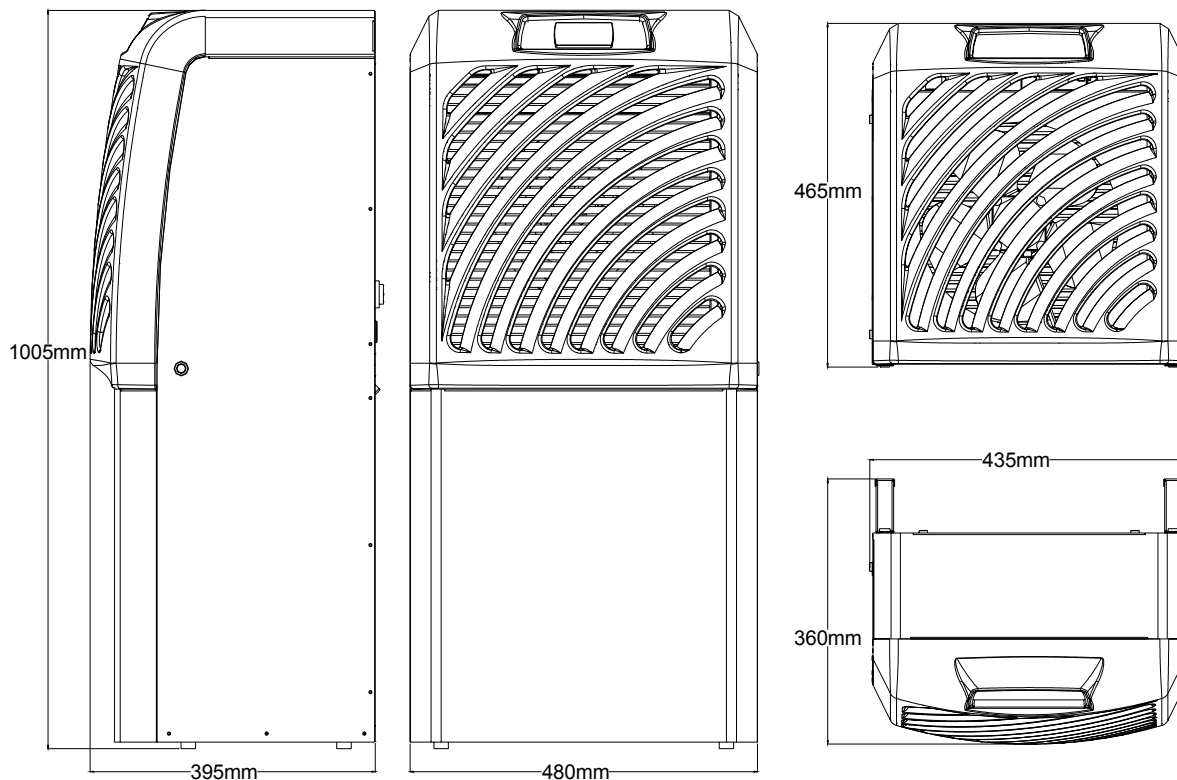
The circuit breaker must be at least 16 Amps.

*** The insulation quality and thickness has to be in accordance with the volume of the cellar and the set temperature.**

**** The cooling performance is dependant from the outside temperature. Therefore, the set temperature of 12°C for the cellar cannot be maintained if the outside temperature of the cellar is maintained at 35°C.**

If the thermal safety functions to often, there is a risk for the condensator and starter to be damaged. In all the cases, it must be avoided that the outside temperature remains at 35°C, this high temperature should be limited to the summer period.

1.1 DIMENSIONS :



2 LAYOUT OF PREMISES

The air-conditioner is composed by two separate units which are connected by an electric and refrigerant flexible cable of 5 mts. The distance between the two units cannot be more than 5 mts.

2.1 INDOOR UNIT

The indoor unit is entirely installed inside the cellar directly on the floor or fixed on the wall with adapted special brackets.

2.2 OUTSIDE UNIT

The outside unit must be fixed on an outside wall in an area free from obstruction which may cause irregular air distribution and/or return in front and back of the unit.

2.3 THE CELLAR

2.3.1 INSULATION

Insulation of the 4 walls, the door, the ceiling and the floor is essential for the Winemaster to work properly. Adequate insulation helps to obtain the stability of the temperature and the humidity.

The board on the next page (choice of insulation) can be used to determine the type and the thickness of insulation needed according to the internal volume of the cellar and a cellar temperature of 12°C.

Insulation continuity :

Insulation components must be assembled preferably by interlocking panels or glueing the panels together, to ensure perfect continuity of insulation.

This is very important : it prevents heat and humidity entering from the outside which would counter the effects of regulation.

IMPORTANT

The validity of the **WINEMASTER guarantee depends on the values in the "Choice of insulation" table** being strictly respected, for all the cellar walls, including floor and ceiling + door, as well as perfect continuity of insulation and installation in accordance to the user guide.

2.3.2 CHOICE OF INSULATION

CELLAR VOLUME (m ³)	MINIMUM THICKNESS OF INSULATION (mm) for 12°C cellar temperature		
	EXPANDED POLYSTYRENE $\lambda = 0,044 \text{ W/m}^\circ\text{C}$	EXTRUDED POLYSTYRENE $\lambda = 0,030 \text{ W/m}^\circ\text{C}$	POLYURETHANE FOAM $\lambda = 0,025 \text{ W/m}^\circ\text{C}$
14	60	40	30
16	60	40	40
18	70	50	40
20	70	50	40
22	70	50	40
24	80	60	50
26	80	60	50
28	90	60	50
30	90	60	50
32	100	70	60
34	100	70	60
36	100	70	60
38	110	80	60
40	110	80	70
42	120	80	70
44	120	80	70
46	120	90	70
48	130	90	70
50	130	90	80
60	150	100	90
70	170	120	100
80	190	130	110
90	200	140	120
100	220	150	130

2.3.3 WALL AND CEILING INSULATION

The manufacturers propose their insulation panels in several forms :

- **insulation alone**

- "**complexes**" : the insulation is lined with a facing (plaster, mineral)
- "**sandwiches** " : the insulation is lined on each side with a wooden or plaster panel

The panel facing is important : it protects the insulation from shocks and guarantees long life.

Do not use mineral fibre insulation (glasswool, stonewool...) because it stores humidity and loose its insulation capacity.

Protection against rodents

Some insulating materials are damaged by rodents (mice, rats...). It is therefore essential to make sure that the walls of the cellar do not contain holes which would allow rodents access to the insulation.

This insulation must be lined, on the inner surface of the cellar, with a protective facing.

Polyurethane insulation, because of its chemical composition, is not attacked by rodents.

2.3.4 FLOOR INSULATION

The cellar floor must be able to support shelves and the wine stored on them.

You should therefore choose an insulating material with adequate compression resistance for this part.

Manufacturers recommend appropriate insulation or materials designed specifically for floor insulation, in their documentation.

Puncture resistance (feet of shelves in particular) is provided :

- in using "*complex*" insulation panels lined, on the upper surface, with a strong panel .
- by facing the insulation with a panel of chipboard (approx. 15 mm thick), or any other suitable covering plaster and slab, for example

2.3.5 THE DOOR

It is part of the continuity of insulation.

There are two possible solutions :

- to insulate the existing door using the same type as insulation as was used for the cellar walls. Insert a seal such a foam, between the door panel and the frame all around the edge.
- Use a FONDIS isothermal door, lined with polyurethane foam. It includes a seal around its periphery, with a magnetic closure..

2.3.6 INSULATION OF OTHER ITEMS

A fridge or another appliance producing heat must not be placed inside the cellar. For example, any hot water pipe going through the cellar must also be insulated.

3 INSTALLING THE OUTSIDE UNIT

Make sure you have chosen the best place for fitting the outside unit :

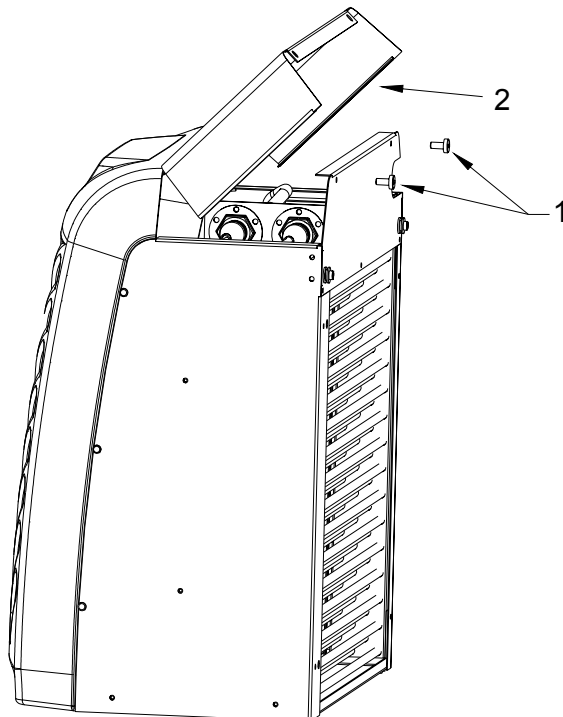
- Chose the best place in order that the length of the flexible connection will be shorter as possible.
- There should not be any obstacle in front of the ventilation grid and the back of the unit, to facilitate air flow
- The wall structure should be strong enough to carry the unit weight and avoid deformations rupture, or vibration during operation

3.1 DRILLING THE WALL

Drill one hole of diametre 70mm to allow the connection of the flexible refrigerant tube to the unit.

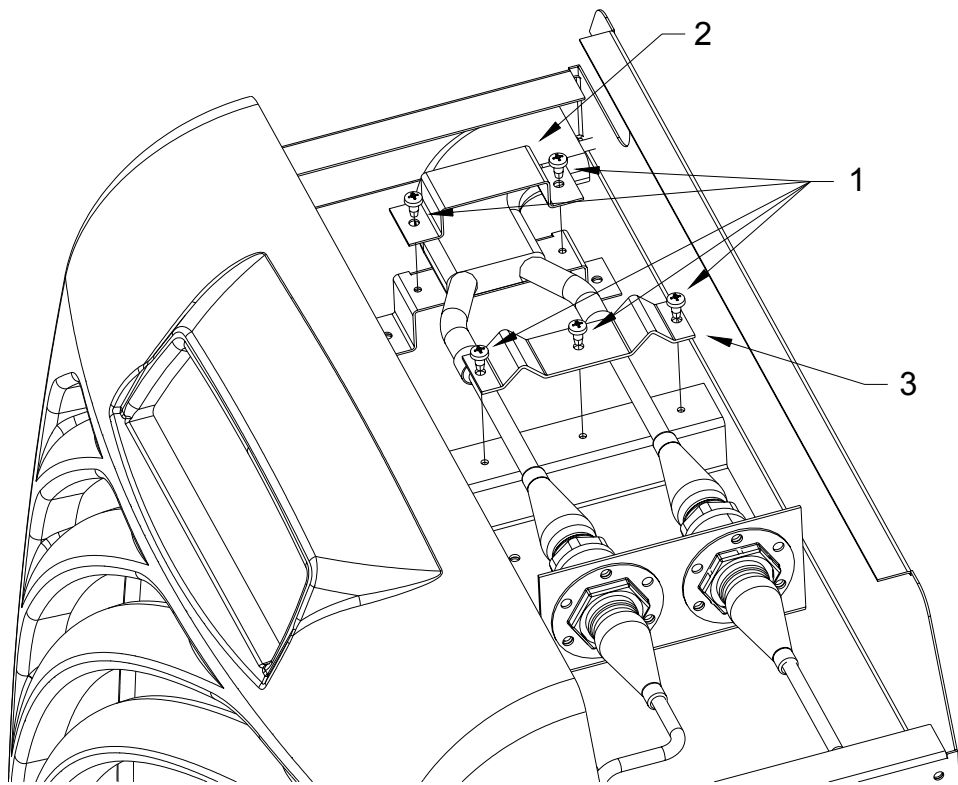
3.2 FLEXIBLE DISMOUNTING

3.2.1 THE COVER



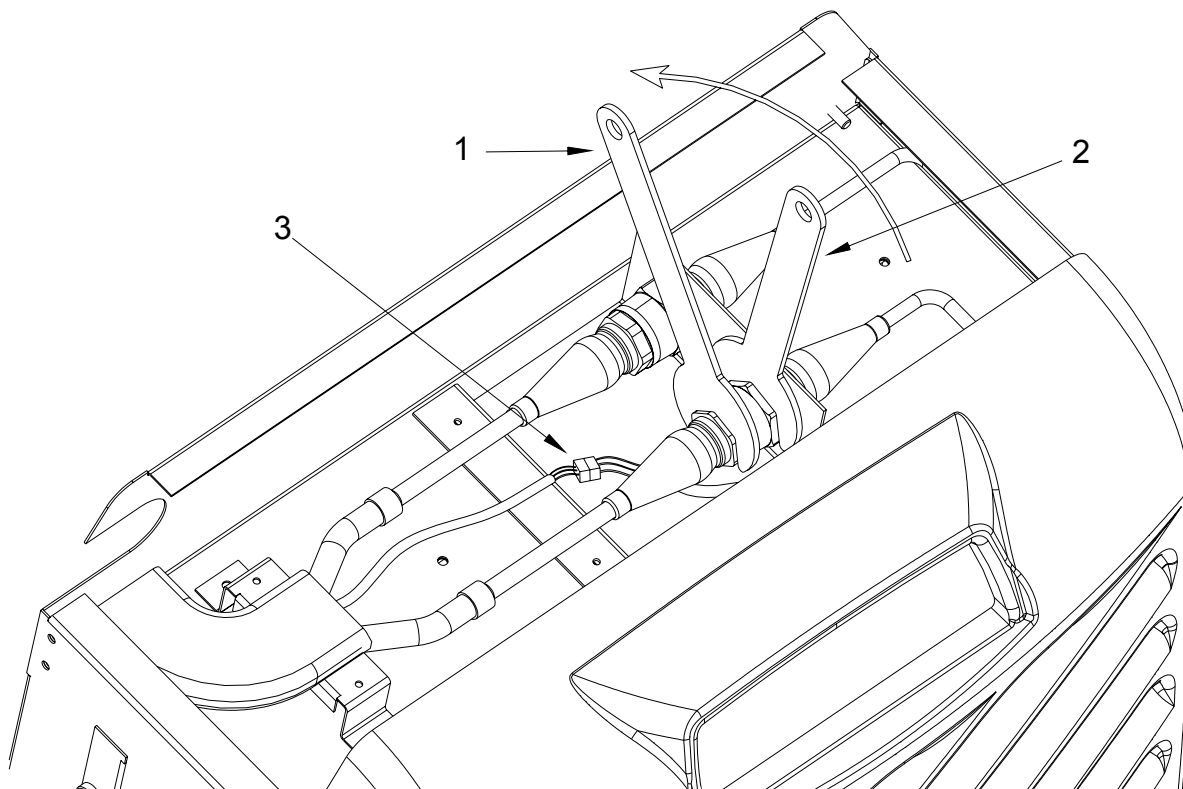
- Unscrew the two black plastic screws **1**.
- Open the cover like shown on the picture **2**.

3.2.2 THE FIXING BRACKETS



- Unscrew the 5 screws 1 with a screwdriver PZ2 for unmounting the brackets 2 et 3.

3.2.3 THE REFRIGERANT CONNECTIONS



- Two wrenches 1 & 2 are supplied with the unit.
- Maintain the connection with the wrench 1 and unscrew with the wrench 2.

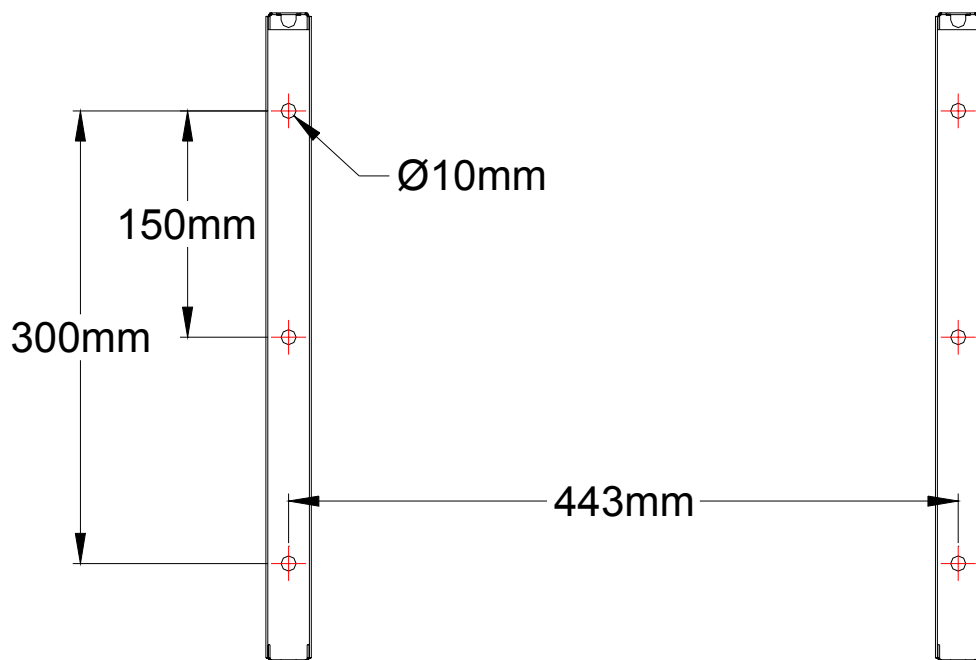
Attention : don't stop unscrewing while gas leaks until the 2 elements are separated. The gas leak will stop then ! Before and during remounting operations, protect the end of the flexible connection in order to avoid dust goes out.

3.2.4 ELECTRICAL CONNECTOR

The ventilator of the outside unit is connected by an electric cable.
Disconnect the connector **3**.

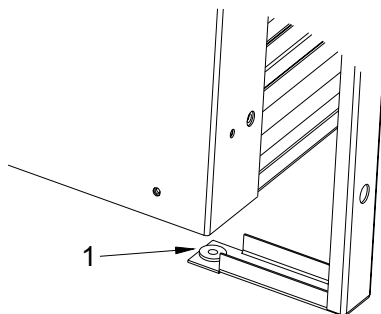
3.3 INSTALLATION OF THE OUTSIDE UNIT

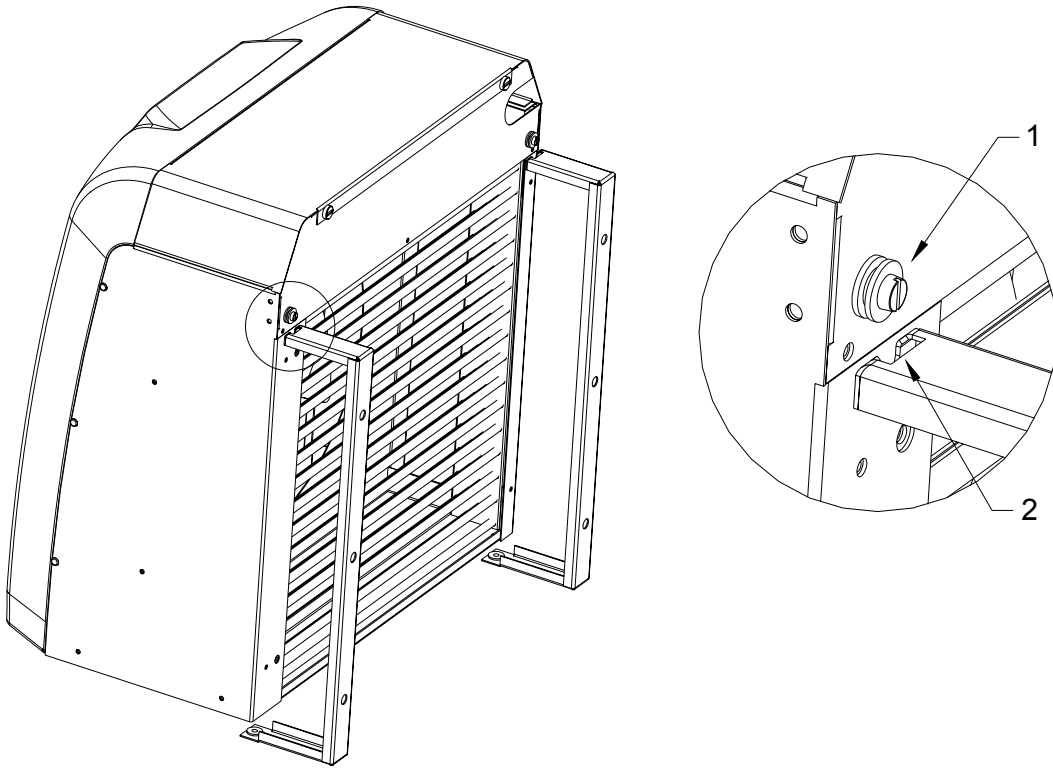
3.3.1 INSTALLATION OF THE WALL MOUNTING BRACKETS



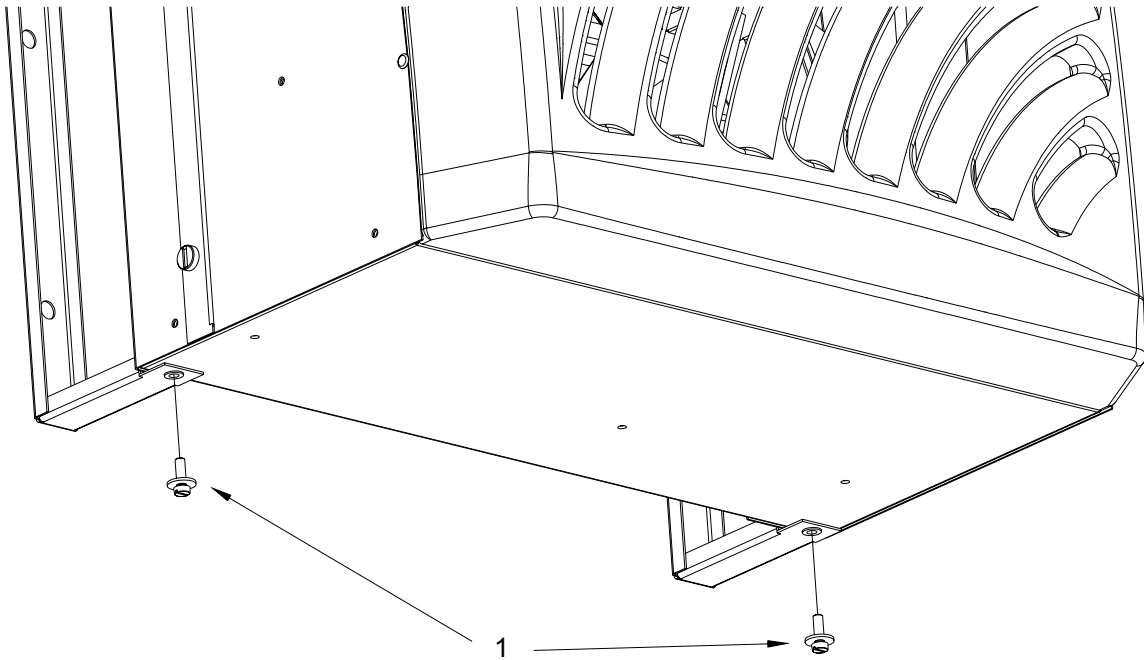
3.3.2 ATTACHING THE OUTSIDE UNIT

Before attaching the outside unit, position two nylon washers **1** in the brackets holes.





- Position the outside unit so that the screws and washers 1 are engaged in the slot 2



- To finish, screw the kit screws and washer 1 under the unit.

4 INSTALLATION OF THE INSIDE UNIT

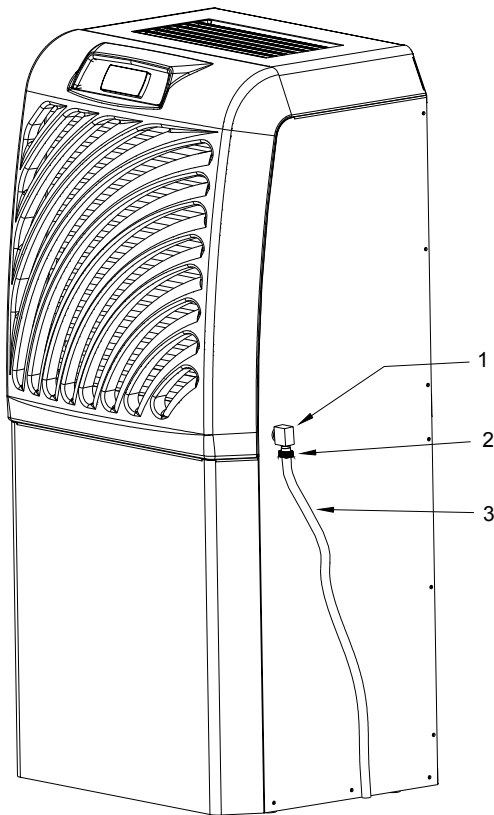
- Put the unit on the floor or on his horizontal support,
- It shouldn't be any obstacle in front of the ventilation grid to facilitate the air flow
- The support or floor must be level and not transmit vibrations.

4.1 RE-CONNECTION OF THE FLEXIBLE

Pass the connecting flexible through the hole in the wall and re-connect the refrigerant fittings with the wrenches and the electrical connecting wires to the outside unit. The reconnection can be done to any pipe.

Attention : open the ends of the flexible connection when you pass them through the wall in order to keep the end clean for screwing again.

4.2 INSTALLING THE CONDENSING WATER FLUE



- Screw the plastic bend **1** supplied with the unit
- Slide the PVC tubing **2**
- Screw up the ring clamp **3**
- Connect the free end of the PVC tubing to a wastewater point or a retention tank (mini content 25 litres).
Avoid “counter slopes “ or « siphons »

5 USING THE WINEMASTER SP100

5.1 CONNECTING THE AIR-CONDITIONER

Connect the male plug to a 230/16A power socket. Switch on the air-conditioner by pressing the green button on the back of the inside unit.

The fan on the cellar side comes on immediately.

The compressor may not come on until 2 minutes later if the temperature in the cellar is higher than the set temperature. If the cellar temperature matches the thermostat setting, the compressor will not come on.

5.2 CONTROL PANEL

The setting of the targeted temperature of the cellar is made on the thermostat .



Use the following process :

Press the button **1** one seconde until the message **o1** appears. Press then the button **3**, the set temperature of the cellar will appear. Use again the button **1** to increase the temperature or the button **2** to lower the temperature. When the right temperature is set, press the button **3** to confirm it.

AUTOMATIC DEFROST

The program of the thermostat from model WINEMASTER SP100 will run an automatic defrost time several times a day. During this position, the compressor stops and only the fan in the cellar is functioning.

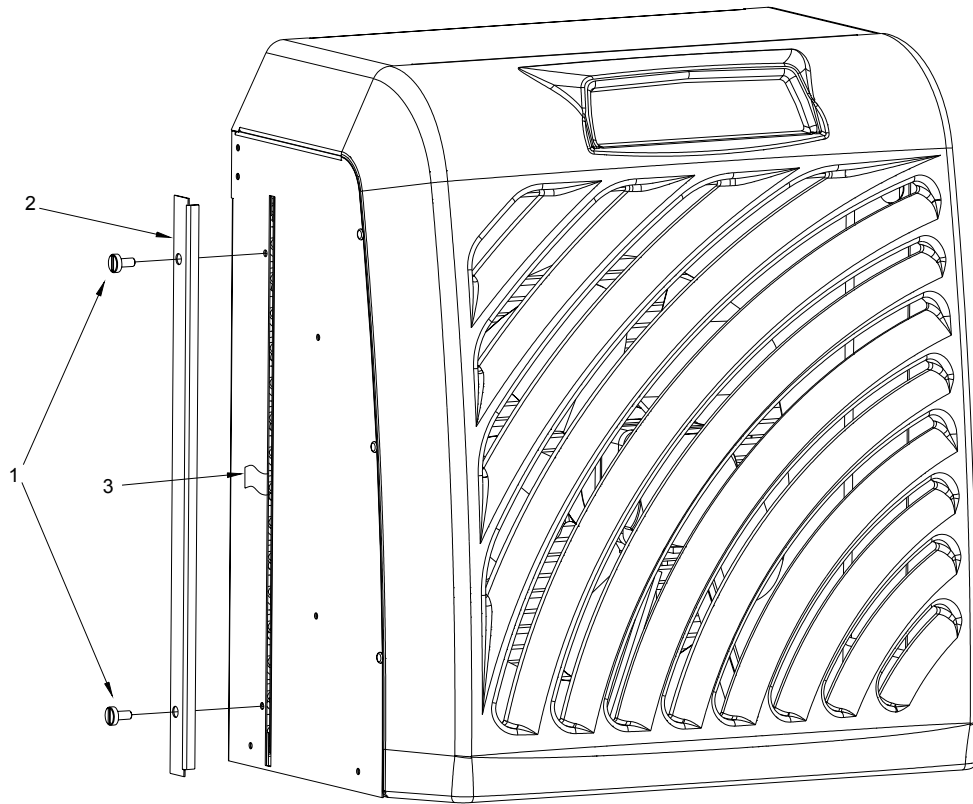
The condensate water produced during this period will be evacuated through the tube.

6 SERVICING THE WINEMASTER AIR-CONDITIONER

THE DUST FILTER

It is essential to replace the dust filter in the air-conditioner as soon as necessary and at least once a year. If it is clogged, the air-conditioner could be seriously damaged.

6.1 CHANGING THE FILTER



- Unscrew the two plastic screws **1**
- Remove the cover **2**.
- Pull the tab **3** to release the filter

**Replace it with a FONDIS filter only !
You can then replace the cover.**

7 WARRANTY

7.1 YEARS CONTRACTUAL WARRANTY

The air-conditioner is guaranteed for two years against manufacturing defects.

During the contractual guarantee period, FONDIS will replace any part recognized as defective, following the intervention of a qualified representative.

In the event of an electrical breakdown, FONDIS will replace any part recognized as defective following the intervention of a qualified stockist or his representative.

In the event of cooling system breakdown, FONDIS can ask for the part to be returned for repair following the intervention of a qualified representative. The equipment will be packed and held available for the FONDIS carrier to collect it.

Operations and returns must be made with the written agreement of FONDIS after sales service.

7.2 TERMS OF APPLICATION OF THE GUARANTEE

The contractual guarantee applies to all devices installed and used in accordance with the « installation and operating guide ». Application of the contractual guarantee depends on the guarantee card at the back of the booklet being returned within **15 days** of purchase.

7.3 EXCLUSIONS AND LIMITS OF GUARANTEE

The guarantee is refused in the following cases :

- The cellar and installation have not been insulated in accordance with this guide.
- The damage is due to negligence, poor maintenance, defective or inappropriate use of the Winemaster
- Part exchanges or replacements under guarantee will not have the effect of extending it.



WARRANTY CERTIFICATE FONDIS

In order to validate your 2 year contractual warranty in accordance with the specified warranty conditions stated in the WineMaster user manual, **please complete and return this warranty certificate within 15 days from the date of purchase to the following address:**

WINE CORNER

Unit 6, Harworth Enterprise Park, Brunel Industrial Estate, Harworth, South Yorkshire DN11 8SG

Model: _____

Serial number: _____

Purchase date: _____

Installation date: _____

Installer: _____

The volume of your wine cellar in meters squared: _____

POINT OF SALE STAMP

FIRST NAME _____ LAST NAME _____

ADDRESS _____

POSTAL CODE _____ CITY _____ COUNTRY _____

In the following section, please specify the insulation characteristics of your cellar.

	Type of material and thickness	Type of insulation and thickness
Wall		
Floor		
Ceiling		
Door		

How did you learn about FONDIS WineMaster cellar air conditioning systems ?

- through a trade show through a vendor
- through an editorial article through an advertisement
- other (please specify) _____